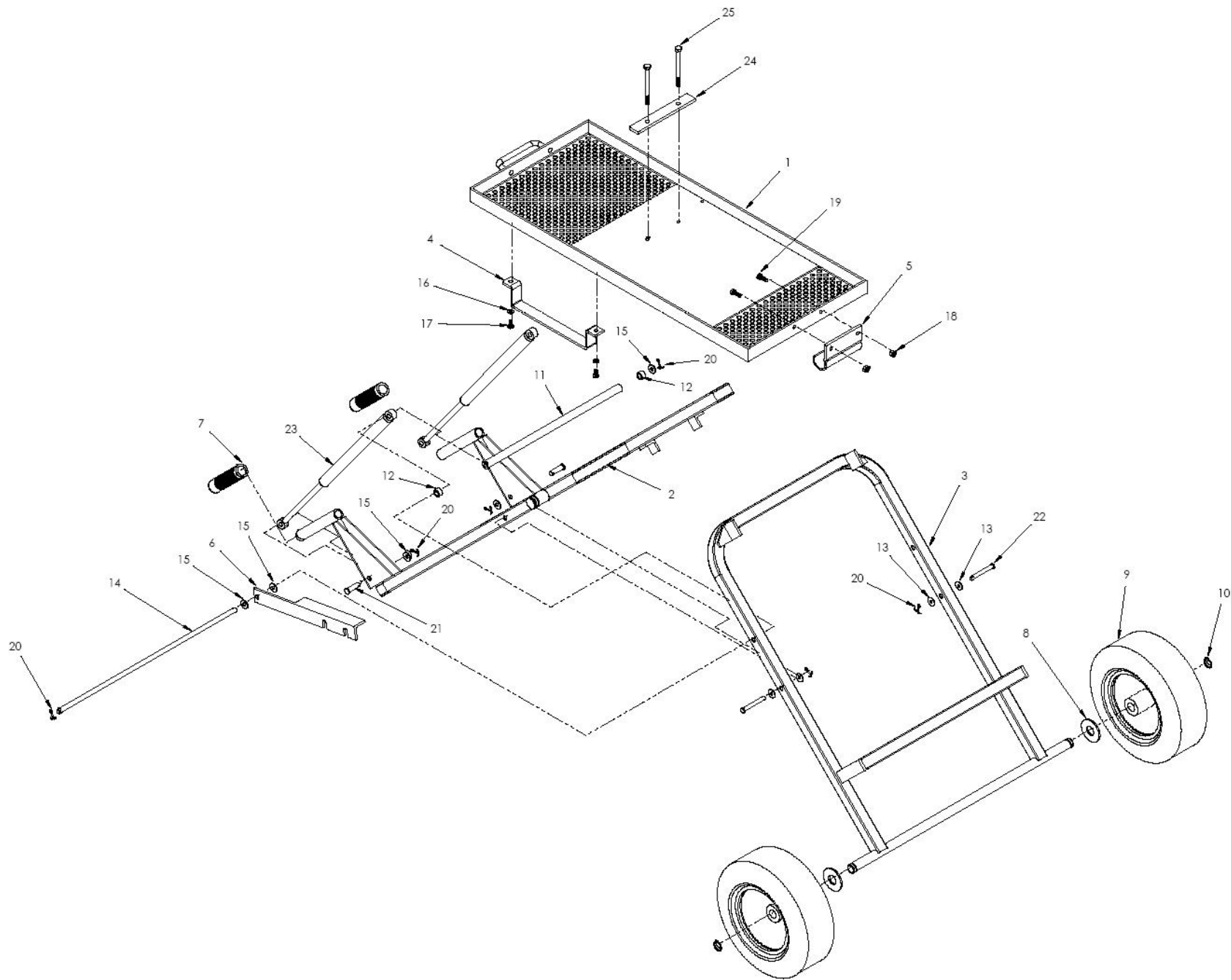


3744 Jefferson Rd., Ashtabula, OH 44005  
DESCRIPTION:  
FOLDING STAND FOR MANTIS  
PART NO. 60504



3744 Jefferson Rd., Ashtabula, OH 44005  
 DESCRIPTION:  
 FOLDING STAND FOR MANTIS  
 PART NO. 60504

<b>ITEM NO.</b>	<b>PART NUMBER</b>	<b>DESCRIPTION</b>	<b>QTY</b>
1	701183	TABLE TOP	1
2	700812	HANDLE FRAME	1
3	700813	AXLE FRAME	1
4	700516	FRAME RETAINER	2
5	700816	J-BRACKET	1
6	700814	LATCH BRACKET	1
7	154	GRIP	2
8	276129	3/4" WASHER	2
9	276128	TIRE & WHEEL	2
10	276131	RETAINING RING	2
11	700817	LONG SPACER	1
12	700818	SPACER	2
13	276540	1/4" FLAT WASHER	4
14	700815	CYLINDER MOUNTING SHAFT	1
15	275685	5/16" FLAT WASHER	5
16	275105	1/4" SPLIT LOCK WASHER	4
17	275199	1/4-20 x 1/2" HEX HEAD CAP SCREW	4
18	275426	1/4-20 ESNA STOP NUT	2
19	560081	1/4-20 x 3/4" HHCS	2
20	275913	1/8" x 1" COTTER PIN	6
21	276735	CLEVIS PIN 3/8" DIA x 1 1/4" LONG	2
22	276561	CLEVIS PIN 5/16" DIA x 2 3/8" LONG	2
23	276710	GAS SPRING FOR 60508	2
24	701184	HOLD DOWN BAR	1
25	277059	5/16-18 x 3 1/2" HHCS	2